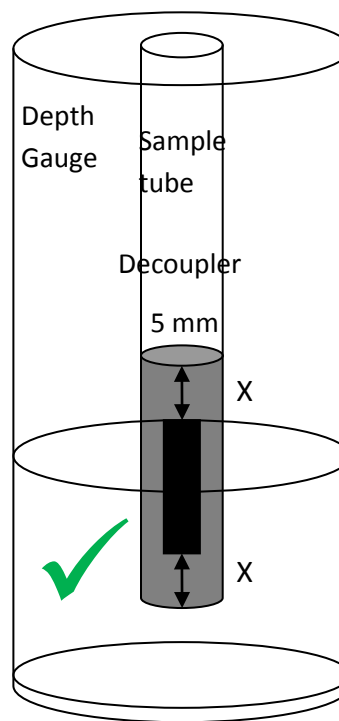


# Sample positioning for ARX 300

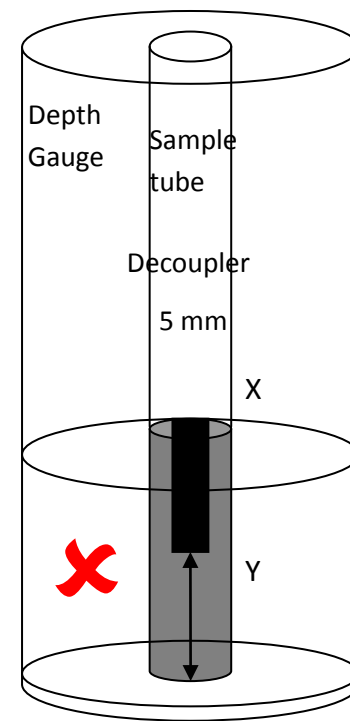
If your sample is shorter than this box (36mm):



You **must** center it in the depth gauge around the black bar labeled “Decoupler/5 mm” instead of pushing the tube all the way down. Otherwise you will get a “tail” on your resonances that cannot be shimmed away.



Correct



Incorrect